

# Customer Use Case: Process Automation

## Rapid Growth

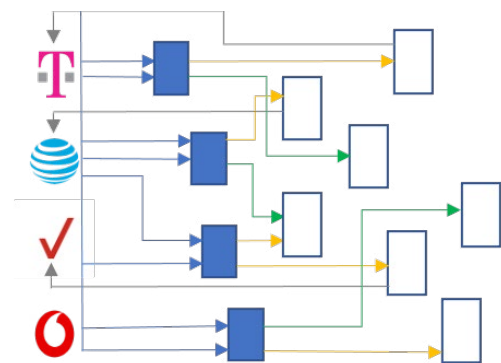
Zipit provides a powerful platform to help OEMs connect their IoT devices to wireless carriers around the world and enable subscription-based services. Each new IoT customer can have unique business requirements, so reducing the resources needed for process management presents Zipit with a significant opportunity for expansion. Using a single, elegant solution to manage both types of customers – high uptime or seasonal usage – would also help Zipit grow their business even faster.

### High Uptime

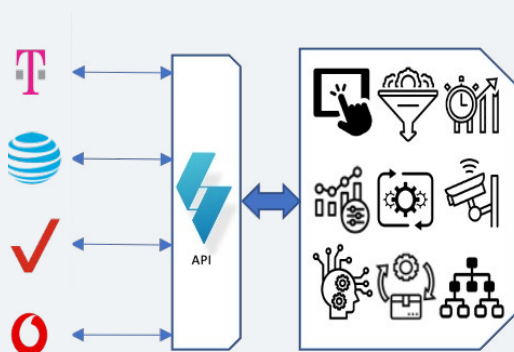
- Fleet Management
- Traffic Monitoring
- Vehicle Connectivity

### Seasonal

- Connected Agriculture
- Wireless Trail Cameras
- RV WiFi Hotspots



Multi-Carrier data stream systems become more complicated over time



The Simetric platform provides API integration through a single pane of glass.

## The Simetric Solution

In a single pane of glass, Simetric provides control from the center to the edge. Simetric's API integration and bulk provisioning allow for seamless large-scale optimization while revenue assurance and business process automation enable savings reclamation and utilization. Simetric's platform enhances IoT solutions, reduces device management effort, and empowers business growth through revenue assurance.

# Simetric at Work

The Simetric platform is customizable, however out of the box Zipit found consistent optimization for their wide array of services. Simetric enabled Zipit to utilize data insights to intelligently solve for holistic business improvement, while still providing granular control for their seasonal needs.

With features like business process automation, anomaly detection, and bulk provisioning, success through Simetric is simple and scalable in a single pane of glass.



Simetric's savings drive predictable revenue assurance.

Discover the value of converting bulk data into actionable insights. Schedule a demo or start a Free Trial today at [simetric.com](https://simetric.com).

© 2021 Simetric Inc. Simetric is a next-generation insights and management platform for your IoT ecosystem. It aggregates billions of records across global operators into one common, symmetric layer — simply and automatically — enabling real-time insights and actionable information for smarter IoT management. Simetric is purpose-built to drive profits by helping enterprises, operators, and devices themselves work more efficiently. By providing unified data, unprecedented visibility, and prescriptive analytics across global operators and millions of devices, Simetric helps enterprises and operators realize the full potential of IoT.

